

## VERITAS VEGA-T DECORATIVE URBAN LIGHT



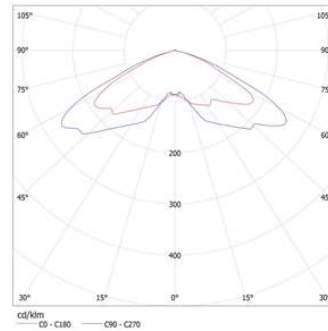
- Modern design appearance that fits perfectly into the environment.
- Made of high-pressure die-cast aluminium of high strength.
- The surface is processed with high-quality electrostatic coating with high corrosion resistance.
- LED protection is achieved by fully tempered glass and UV stabilized polycarbonate with high impact shock resistance.
- The luminaire can be opened without the use of tools.
- Power supply is switched off automatically when opening the luminaire.
- With its double mast support it is suitable to be mounted on decorative lighting poles.
- It is intended for lighting of residential streets, pedestrian walkways and parks.
- Symmetric and asymmetric optics option.
- Dimming is optional.
- CLO is optional (Constant lumen output).
- Optional Remote monitoring and control.

## Technical characteristics:

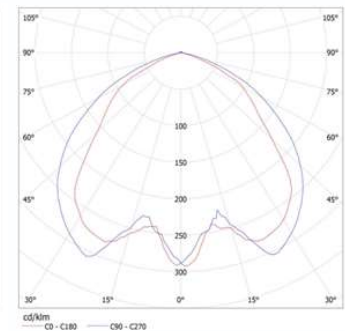
Type:	VEGA-T	VEGA-T
Power:	up to 35W	up to 66W
Power factor:	>0,96	>0,96
Voltage:	220V±10% AC	220V±10% AC
Frequency:	50Hz	50Hz
El.class:	I/II	I/II
Luminous flux:	up to 6500lm	up to 12100lm
Dimming options:	0-100%, protocol 1-10V DC, DALI, DALI 2.0, via resistor, via potentiometer	0-100%, protocol 1-10V DC, DALI, DALI 2.0, via resistor, via potentiometer
CCT standard: Other colors are optional	3000K/4000K-4500K	3000K/4000K-4500K
CRI:	>70, >80, >90	>70, >80, >90
LED module efficacy:	up to 200lm/W	up to 200lm/W
Temperature range:	-40° ~+50°C	-40° ~+50°C
Humidity range:	0%~100%	0%~100%
Certificates:	CE, ENEC	CE, ENEC
RoHS:	test	test
IP:	IP66	IP66
IK:	IK10	IK10
Lifetime:	L80B10 over 100.000 h, L95B5 over 100.000 h	L80B10 over 100.000 h, L95B5 over 100.000 h
Surge protection:	Integrated 6kV	Integrated 6kV
Additional surge protection:	10kV/15kA	10kV/15kA
Option:	Dimming	Dimming
Option:	CLO	CLO
Option:	Remote monitoring and control	Remote monitoring and control
Housing color:	Grey, other colors at the customer's request	Grey, other colors at the customer's request
Material:	High pressure die-cast aluminium	High pressure die-cast aluminium
Mounting:	Pole top	Pole top

## Examples of optic types:

### IES TYPE II.

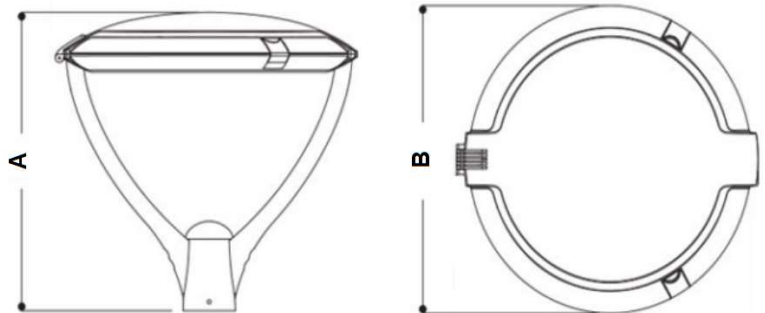


### IES TYPE V.



Other types of optics are available on request.

## Dimensions:



## Applied in the production:

**ISO 9001:2015 - quality management**

**ISO 14001:2015- environmental management**

**ISO 50001:2011 - energy management**

**Production is performed pursuant to ENEC rules and thus under the permanent supervision of an independent accredited body within the EU.**

**5 year warranty period. Longer warranty on Request. Made in Croatia.**



VERITAS ESCO d.o.o.

Mejaši 2, 21000 Split

Tel: +385 21 544 312 Mob: + 385 98 264 874

E-mail: [info@veritasesco.hr](mailto:info@veritasesco.hr) [www.veritasesco.hr](http://www.veritasesco.hr)

This datasheet reflects technical specifications of luminaires from Veritas VEGA family, and for individual projects and concrete luminaires specific individual datasheets can be made and also the specific technical sheet of the offered lamp.

The manufacturer reserves the right to make changes without prior notice.